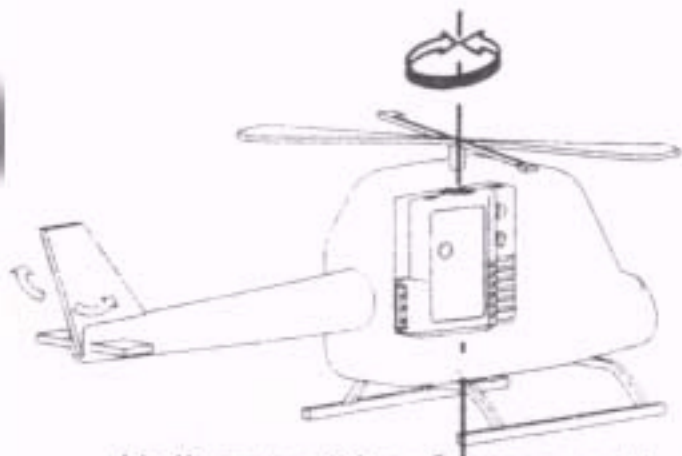
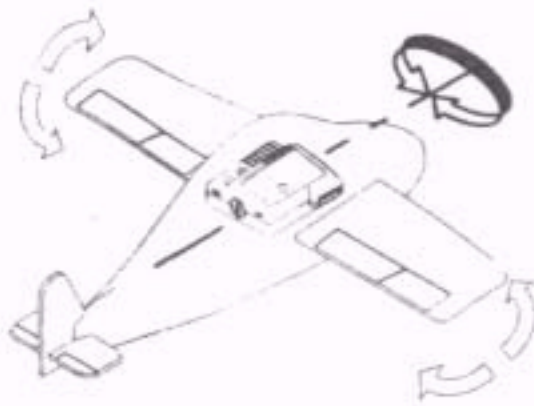


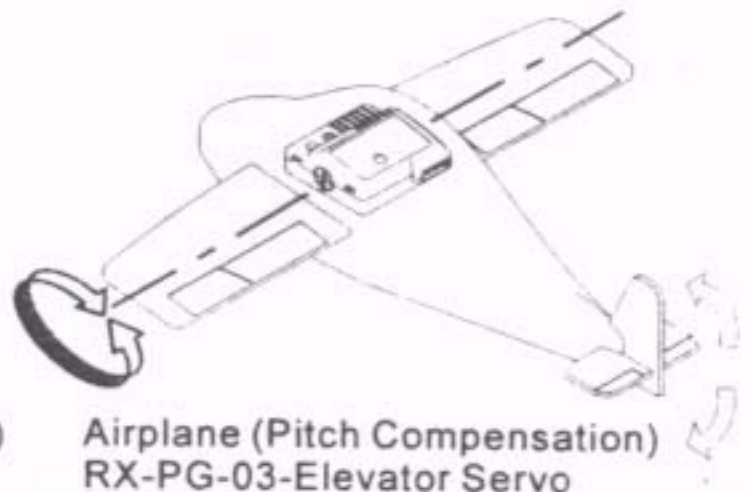
TYPICAL EXAMPLES OF USAGE



Helicopter (Yaw Compensation)
RX-PG-03-Rudder Servo

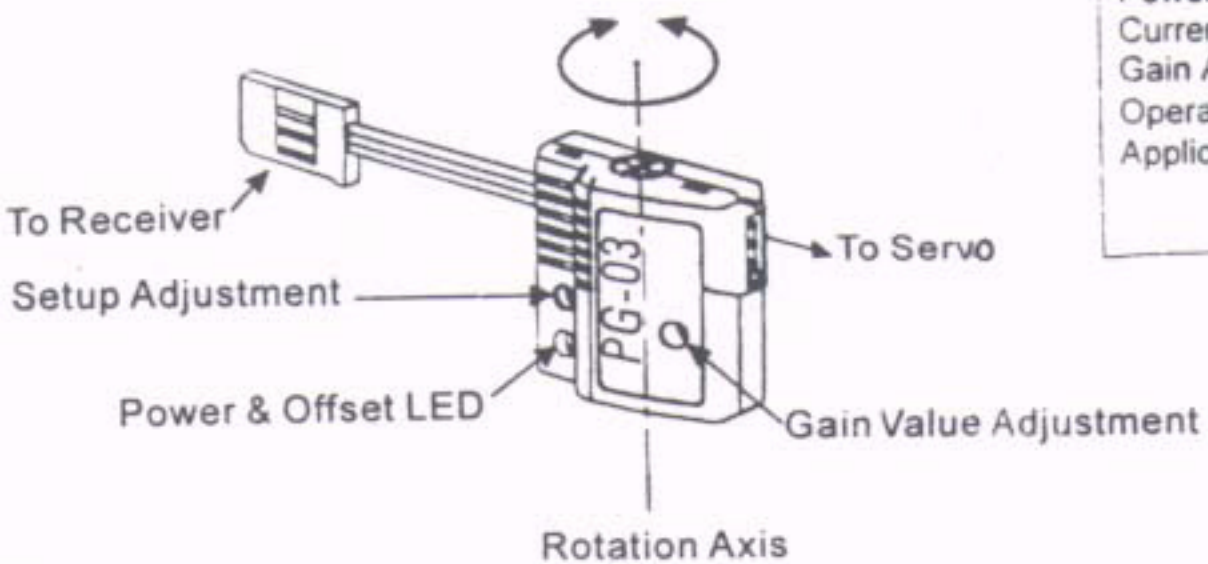


Airplane (Roll Compensation)
RX-PG-03-Aileron Servo



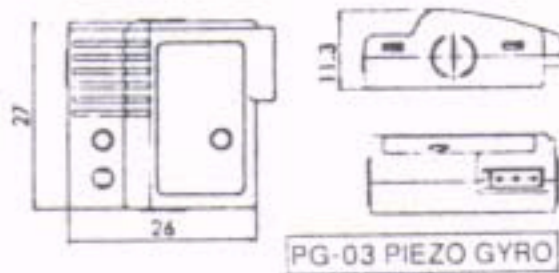
Airplane (Pitch Compensation)
RX-PG-03-Elevator Servo

PG-03 PIEZO GYRO



Specifications:

Dimension: 26.0 x 27.0 x 11.3 mm
 Weight: 7.0 g (0.285 oz) with Plastic Case
 4.8 g (0.169 oz) w/o Plastic Case
 Power Supply: 4.8 - 6.0 Volts
 Current Draw: 10mA (4.8V)
 Gain Adjustment: Single rate, non-remote
 Operating Temperature: -5°C - 60°C
 Applicable R/C System: Futaba, JR, Hi-tec,
 Sanwa/Airtronics,
 Multiplex, GWS



INSTALLATION
Wiring and Connections

