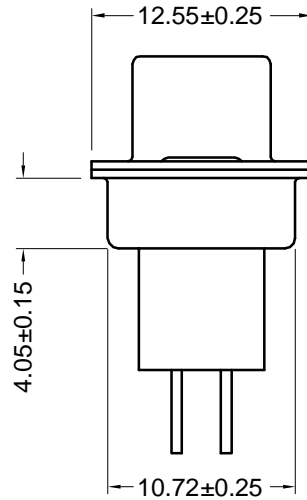
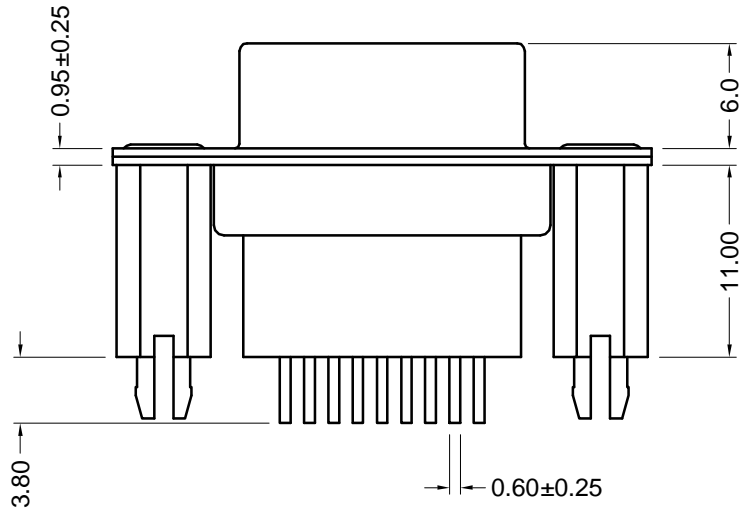
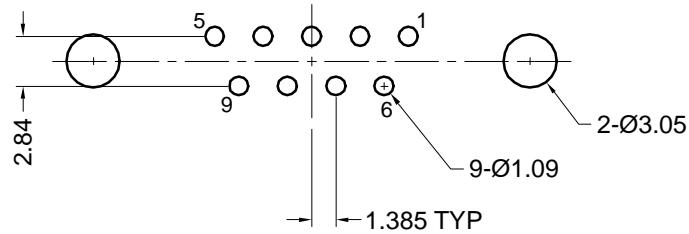


Recommended PCB Layout
(top view)



Boardlock not shown
in this view

Part Number	Contact Area Plating Finish
K88-ED-9S-BR	Gold Flash (standard)
K88-ED-9S-BR15	15u" Gold (15 option)
K88-ED-9S-BR30	30u" Gold (30 option)

Material And Finish

- Shell: Steel,
200u" tin plated
- Insulator: PBT with glass-fiber reinforcement,
UL 94V-0 rated,
color-black
- Boardlock- Brass, tin plated
(-BR Option only)
- Contact Material:
Socket - Phosphor Bronze
- Plating Options:
(Standard) Gold flash over
Nickel underplate on
entire contact.
- 15 Option: 15 u" Gold over
Nickel underplate on
entire contact.
- 30 Option: 30 u" Gold over
Nickel underplate on
entire contact.

Electrical Specifications

- Rated Current: 5A
- Rated Voltage: 250V DC
- Withstanding Voltage:
500V (rms) AC for 1 minute
- Insulation Resistance:
more than 1000 Megohm
at 500V DC
- Contact Resistance:
13 milliohm max.
- Dielectric Strength:
1000V for 1 minute
- Temperature Rating:
-55°C to +105°C

CSA NRTL/C Certified File No. LR78160

REVISION	DATE	DESCRIPTION	DRAWN BY	DESIGNED BY	UNITS
A1	5/22/00	New Drawing	C. Leiva		mm
A2	4/2/02	ECD #01-174	REVISED BY	APPROVED BY	DATE
			C. Leiva		5/22/00

K88-ED-9S-BR

D-Sub, Vertical, 9 Pin Female
Formed Contacts, w/Boardlocks

